

Features

- Universal Input 90~264V AC
- Direct UK Fixed Plugtop Adapters
- Approved to UKCA, CE, RoHS & REACH
- EN/IEC 62368-1 Safety Approved
- Single Output 9V DC
- OVP, OCP, OTP, SCP



Image for Illustration Purpose
Models may vary



Ideal Power's 15DYS806-xyS-5-RS 7.5W AC/DC External Adapter UK Plugtop Power Supply (PSU) Series are certified to UKCA, CE, RoHS, REACH & EN 62368-1/IEC 62368-1 Standards and comply with (EU) 2019/1782, Level VI Efficiency Regulations. These are primarily used in ITE, Audio & Video Industries and customised solutions are available upon request.

Models

Model Number	Output Voltage (V DC)	Output Current (A)	Output Power (W)	Efficiency (%)
15DYS806-090083S-5-RS	7.5	0.83	7.5	80.23

Input Data

	Min	Typical	Max	Units	Notes
Input Voltage	90	--	264	V AC	100-240VAC +/- 10%
Input Frequency	47	--	63	Hz	50-60Hz +/- 5%
Input Current	--	0.3	--	A	
Inrush Current	--	--	60	A	At cold start, 100 / 240V AC
Leakage Current	--	--	0.25	mA	

Output Data

	Min	Typical	Max	Units	Notes
Output Voltage	--	--	9	V	
Ripple & Noise	--	--	200	mVp-p	
Turn on Delay Time	--	--	3	s	At 100 Vac to 240 Vac input & Full load
Hold up Time	5	--	--	s	At Full load & 100Vac/60Hz
Overshoot / Undershoot	--	--	10	%	
Load Transient Response	Shall not exceed 10% of the nominal output voltage, load fluctuation: from 20% to 80%, R/S: 0.5A/uS, frequency: 100Hz duration and 8mS at 80%.				
Capacitance Load	While input 100~240Vac and capacitance load is 470uF, the adapter can turn on normally and the output is in the rated range.				

Protection Requirements

Over Current Protection	Over Current Point Limited >1.079A
Short Circuit Protection	Continuous short circuit proof. Will recover if fault condition is removed
Over Voltage Protection	Will recover if fault condition is removed

Environmental Data

	Min	Typical	Max	Units	Notes
Operating Temperature	0	--	+45	°C	
Storage Temperature	-20	--	+80	°C	
Operating Humidity	10	--	90	°C	Operating 10% to 90%
Operating Humidity	5	--	95	°C	Storage 5% to 95%

Other Information

	Min	Typical	Max	Units	Notes
Insulation	--	50	--	MΩ	At primary to secondary add 500Vdc test voltage
MTBF	--	50000	--	hrs	
Dimensions	61x29x40mm				

EMC Emissions (2014/30/EU)

	Standard	Test Level
Conducted	EN 55032	Pass
Radiated	EN 55032	Pass

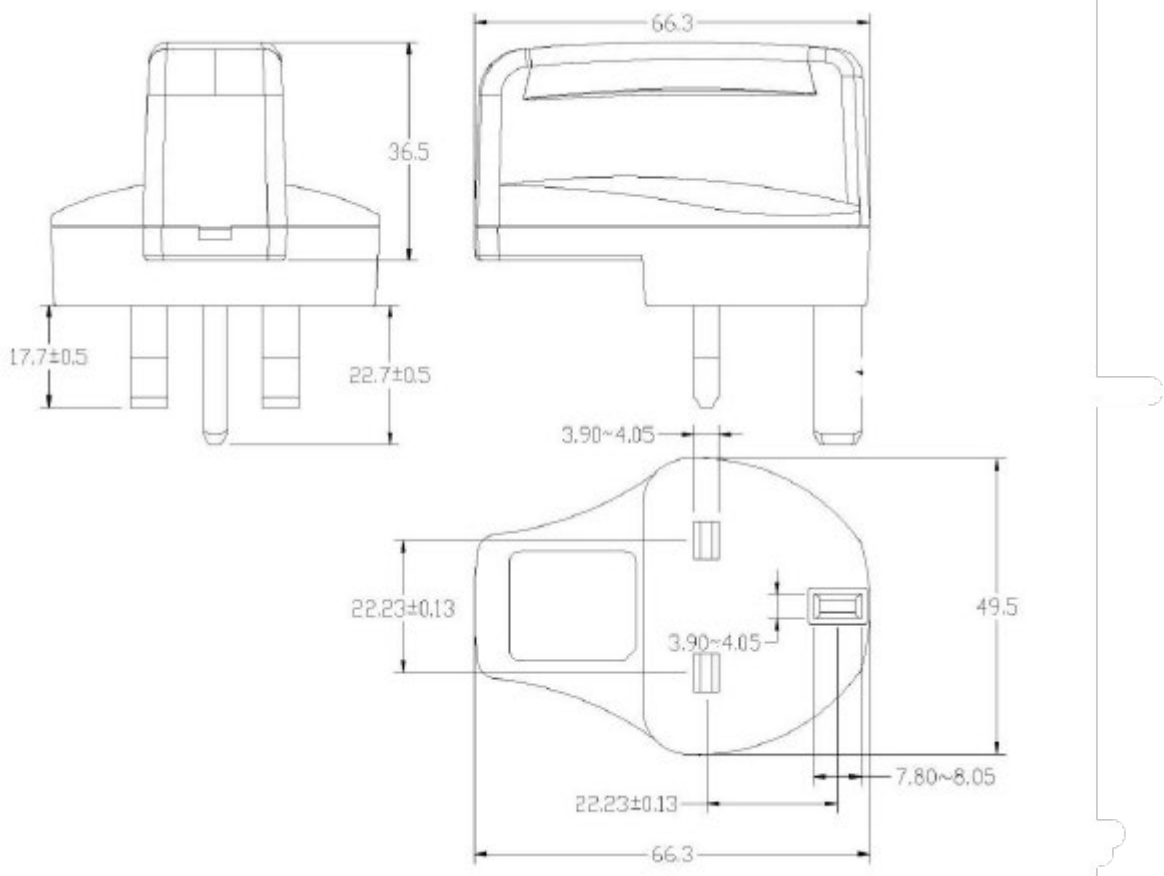
EMC Immunity (2014/30/EU)

	Standard	Notes	Criteria
EMS	EN 55035		
ESD	IEC 61000-4-2	Contact: +/- 4KV; Air: +/- 8KV	Pass B
EFT	IEC 61000-4-4	0.5/1.0KV on input AC power ports	Pass A/B
Surge	IEC 61000-4-5	Differential: +/- 1KV - Common: +/- 2KV	Pass A

Safety Approvals

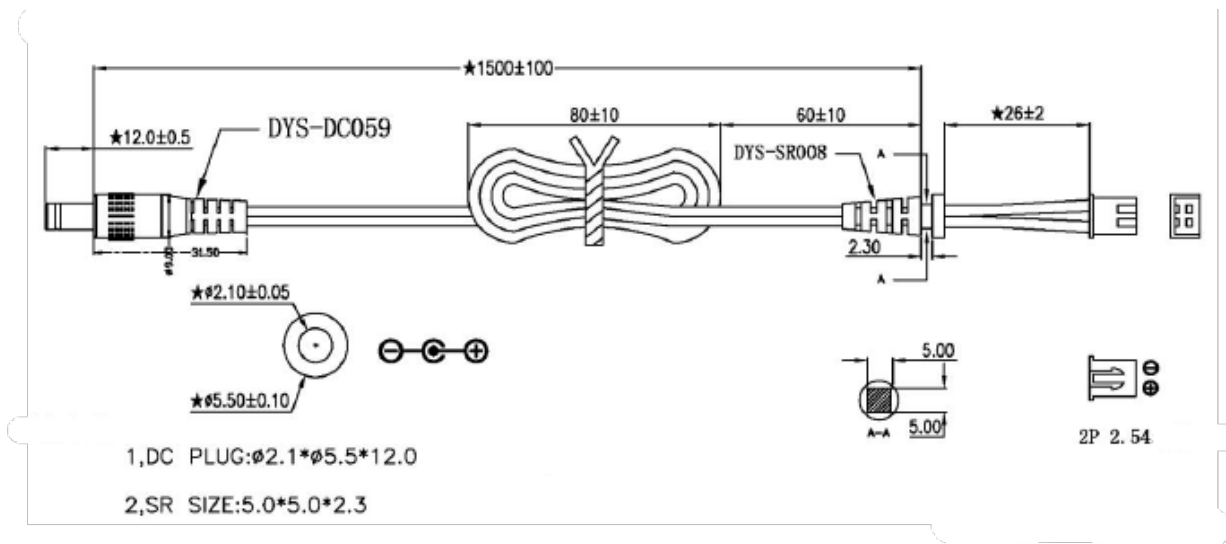
	Safety Standards
Approvals	EN 55032, EN 55035, IEC/EN 62368-1
Certificates	UKCA, CE, RoHS, REACH

Mechanical Drawing



Cable Drawing

Typical Cable drawing:



Label Drawing

Typical product label

